

AT A GLANCE

FEATURES

- All controls include start in gear protection
- Designed for use with both universal and OEM shift and throttle cable connections
- Suitable for most boat/engine combinations
- Dual action lever (throttle and shift control on one handle)
- Neutral Interlock standard on all CH1700 controls
- Trim, Tilt, options available
- Cut off switch available (inboard and outboard versions)
- Drag adjustment on all models
- Easy installation and set up
- Neutral "warm up" button for throttle only operation

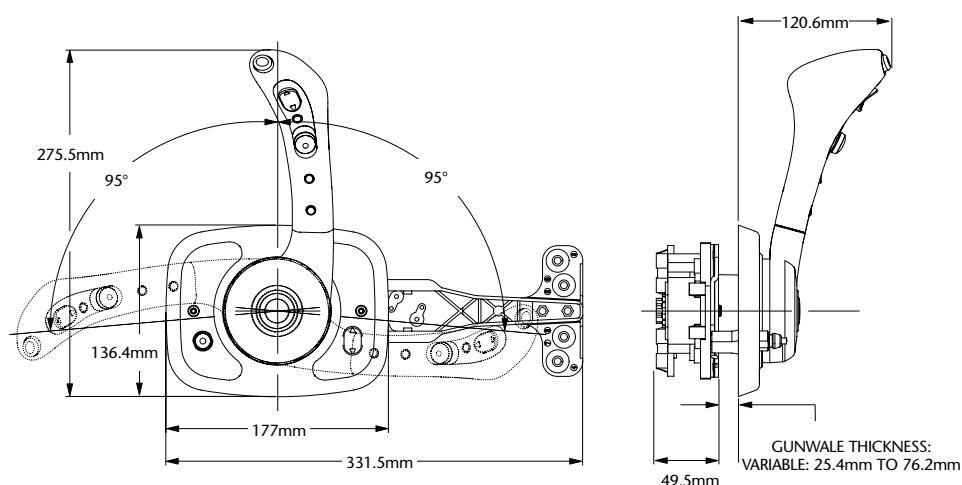


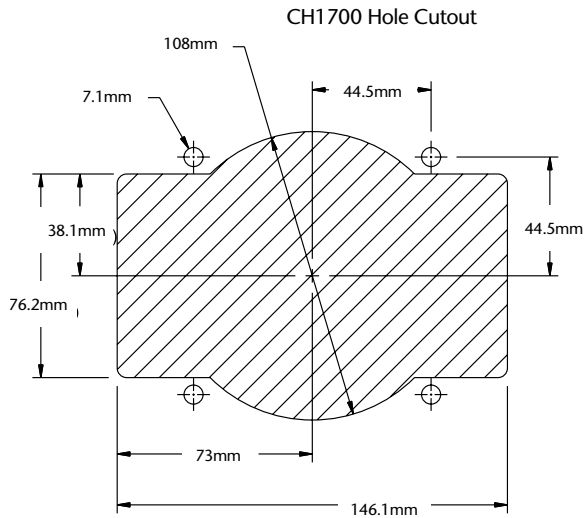
OPSPREY SERIES CH1700 SIDE MOUNT CONTROL

TECHNICAL DATA

The ergonomics and features of our CH1700 controls are advanced beyond those of any other control on the market. A shapely, balanced handle design, provides an incredibly smooth yet positive feel, neutral interlock, throttle warm up and start in gear protection features are standard on all CH1700 models, with power trim/tilt, emergency cut off switches etc offered as an option, in addition the cosmetics of these controls can be configured to suit any taste.

CH1700 controls are suitable for use both universal (3300 type) or OEM type control cables without adaptation.





SPECIFICATIONS

ORDER INFORMATION	BEZEL	HANDLE HUB	INSERT	TOP CHOICE	PART NUMBER
Base	Black	Black	Black	√	CH1700-000000
Base with Trim	Black	Black	Black	√	CH1700-000010
Base with Trim and Cut off switch (O/B)	Black	Black	Black	√	CH1700-002010
Base with Trim & Tilt	Black	Black	Black		CH1700-010010
Base with Trim and Tilt and Cut off switch (I/O)	Black	Black	Black		CH1700-011010
Base	Black	Chrome	Chrome	√	CH1700-200000
Base with Trim	Black	Chrome	Chrome	√	CH1700-200010
Base with Trim and Cut off switch (O/B)	Black	Chrome	Chrome	√	CH1700-202010
Base with Trim and Tilt	Black	Chrome	Chrome		CH1700-210010
Base with Trim and Tilt and Cut off switch (I/O)	Black	Chrome	Chrome		CH1700-211010



CH1700-000010



CH1700-200010



CH1700-211010

